

Model AC20489

**Model AC20489**

**Length: 66" (1676mm)**

**Width: 30" (762mm)**

**Height: 20" (508mm)**

**Shipping Weight: 110 lbs. (50 Kg)**

**Water to Overflow: 60 gallons (273 Litres)**

**Materials: Manufactured from a one-piece acrylic sheet, reinforced with fibreglass.**

The acrylic bath tub features classic minimalist design, clean lines and brilliant colours. The inclined backrest makes the 66" bath very comfortable.

**Standard Features:**

- ° Easy to clean high gloss surface
- ° Chip and mar resistant
- ° Moulded-in floor pattern
- ° Single Flange

**Colours:**

- ° Standard: White, Almond (Bone) or Biscuit.
- ° Optional: Kohler Colours

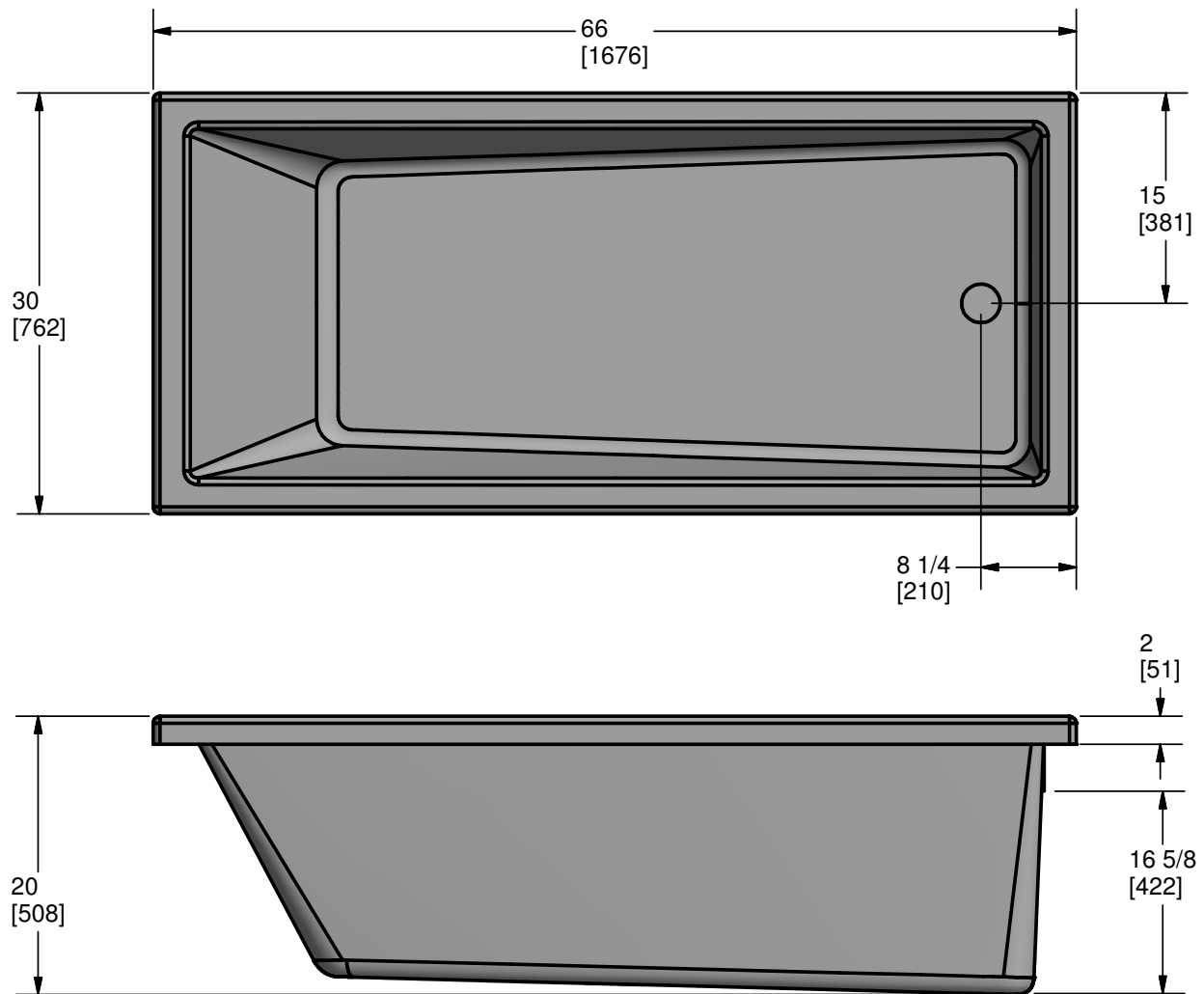
**Other Configurations:**

All products manufactured by Hytec are covered by a comprehensive five-year limited warranty from the date of sale to the original owner. See the Hytec Bathing Fixtures List Price Book for further details.

**Hytec Plumbing Products**

(Division of Kohler Canada Co.)  
4150 Spallumcheen Dr, Armstrong BC V0E 1B6  
Ph. (800) 871-8311 (250) 546-3196 Fax (250) 546-3170

**ACRYLIC**



Measurement tolerances  $\pm 1/4"$  (6.3mm)

All bathing fixtures comply with the applicable Canadian Standards.

EPA TSCA Title VI Compliant Product.

For installation instructions, please refer to HYTEC.CA

This sheet approximately describes products and equipment manufactured or supplied by Hytec Plumbing Products. Because of ongoing efforts to improve both design and quality, products and equipment actually furnished may differ without prior notice.

**Hytec Plumbing Products**

(Division of Kohler Canada Co.)  
 4150 Spallumcheen Dr, Armstrong BC V0E 1B6  
 Ph. (800) 871-8311 (250) 546-3196 Fax (250)  
 546-3170

